

PRECAST TERRAZZO EPOXY FLAT BASE



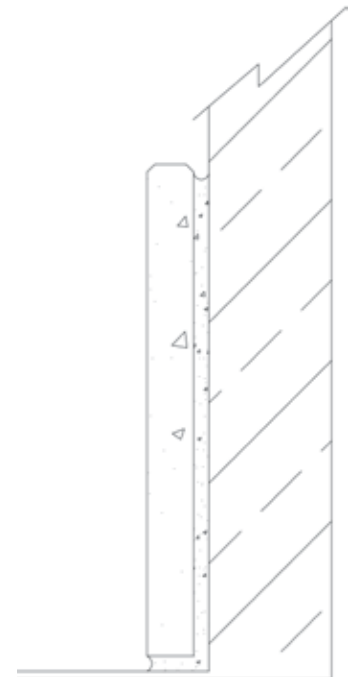
Wausau Tile's flat base provides a classic look for all your precast terrazzo projects. Our precast terrazzo offers a timeless look that's incredibly strong and versatile. It presents a polished style built to withstand high traffic, with a compressive strength of more than 4,000 PSI.

STANDARD SIZES

The below sizes ship within 5 weeks of purchase:

- 4" Epoxy Flat Base
- 6" Epoxy Flat Base

PRODUCT	LENGTH	HEIGHT	THICKNESS
Epoxy Flat Base	36"	4" or 6"	3/8"



CALL FOR FURTHER DETAILS & PRICING.

P: 800.388.8728 | E: wtile@wausautile.com | WAUSAUTILE.COM

PRECAST TERRAZZO EPOXY COVE BASE



Wausau Tile's cove base makes clean up a breeze with a slight curve in the base to allow dirt and dust to easily be cleaned up. With its polished style built to withstand high traffic and a compressive strength of more than 4,000 PSI, this is a perfect choice for schools and universities.

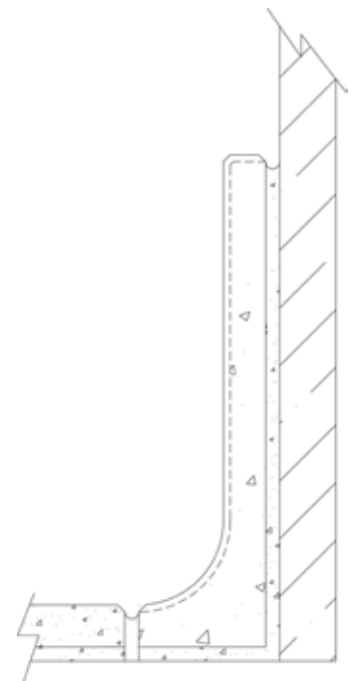
STANDARD SIZES

The below sizes ship within 5 weeks of purchase:

- 4" Epoxy Cove Base (3/4" radius cove, standard 1 1/8" toe)
- 6" Epoxy Cove Base (3/4" radius cove, standard 1 1/8" toe)
- 9" Epoxy Cove Base (3/4" radius cove, standard 1 1/8" toe)

PRODUCT	LENGTH	HEIGHT	THICKNESS
Epoxy Cove Base	36"	4", 6" or 9"	3/8"

Optional zinc toe available.



CALL FOR FURTHER DETAILS & PRICING.

P: 800.388.8728 | E: wtile@wausautile.com | WAUSAUTILE.COM