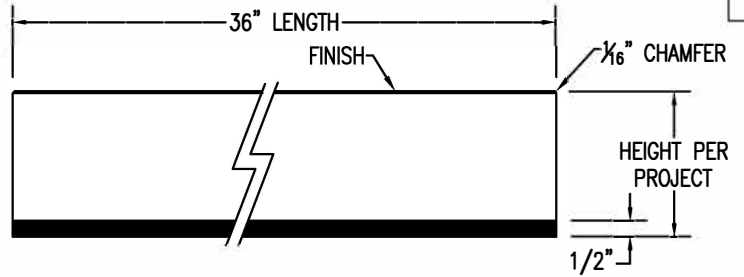
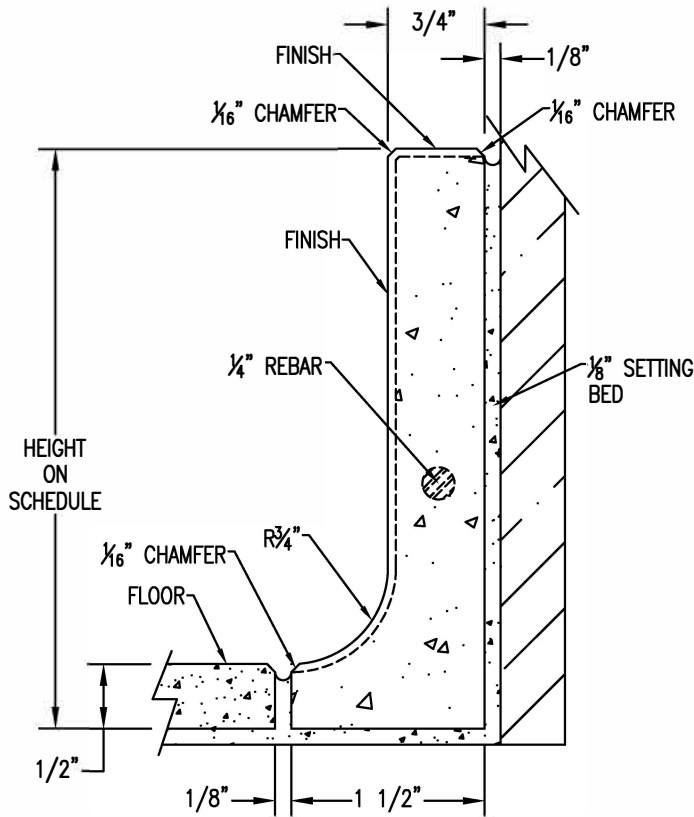


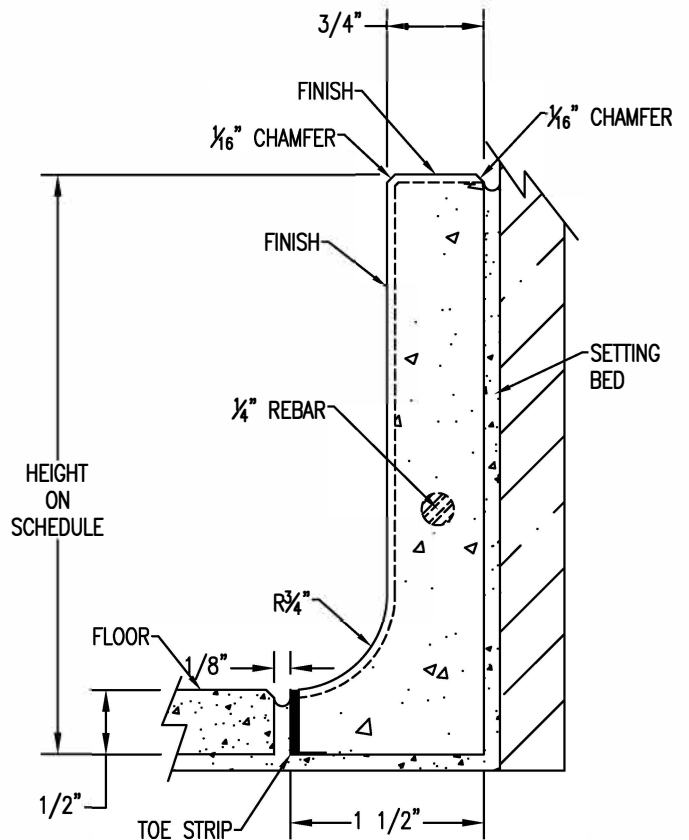
1 FRONT ELEVATION OUTCORNERS  
Scale: 3" = 1'-0"



2 FRONT ELEVATION TYPICAL BASE  
Scale: 3" = 1'



3 SECTION VIEW COVE BASE  
Scale: FULL



4 SECTION VIEW COVE BASE WITH ZINC STRIP  
Scale: FULL



P.O. BOX 1520 WAUSAU, WI 54402-1520  
800-388-8728  
E-MAIL: WTILE@WAUSAUTILE.COM  
WEB SITE: WWW.WAUSAUTILE.COM

**CONFIDENTIAL INFORMATION**  
THIS DRAWING, SPECIFICATIONS AND OTHER INFORMATION AND DOCUMENTS ACCOMPANYING THEM ARE THE CONFIDENTIAL AND PROPRIETARY PROPERTY OF WAUSAU TILE, INC. THE DRAWINGS THEMSELVES SHALL BELONG TO THE OWNER FOR USE ONLY ON THE PROJECT. ANY ADDITIONAL USE SHALL REQUIRE THE PRIOR WRITTEN APPROVAL OF WAUSAU TILE, INC. THE PROPRIETARY INFORMATION CONTAINED WITHIN THE DRAWINGS AND THE DOCUMENTS IS AND SHALL REMAIN THE SOLE PROPERTY OF WAUSAU TILE, INC

WAUSAU TERRAZZO  
COVED CEMENT BASE

| REVISIONS |      |      |       |
|-----------|------|------|-------|
|           | NAME | DATE | NOTES |
| 1         | ---  | ---  | ---   |
| 2         | ---  | ---  | ---   |
| 3         | ---  | ---  | ---   |
| 4         | ---  | ---  | ---   |

DRAWN BY: MR  
DATE: 10/21/14  
SCALE: AS NOTED  
PROJECT NUMBER: N/A  
MIX DESIGN NO. N/A  
ABRASIVE NO. N/A  
SHEET NO. 15