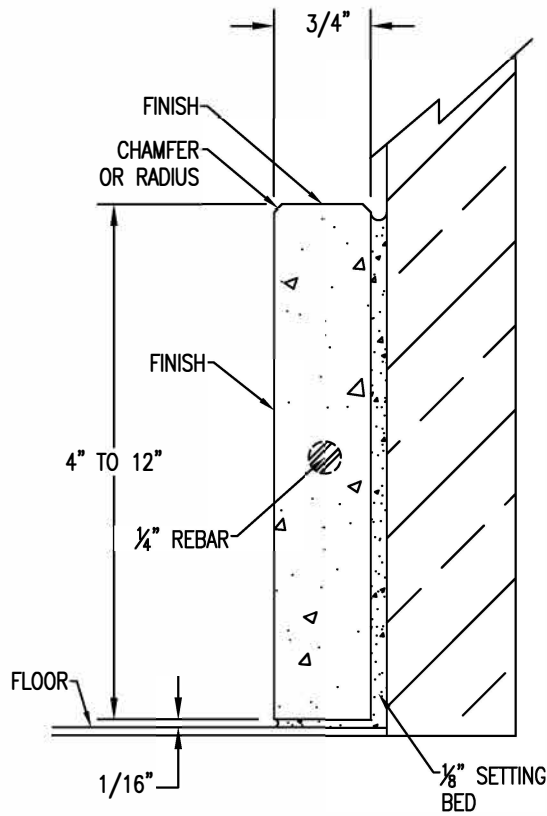


1 FRONT ELEVATION FLAT BASE
Scale: NONE



2 SECTION VIEW FLAT BASE
Scale: NONE



P.O. BOX 1520 WAUSAU, WI 54402-1520
800-388-8728
E-MAIL: WTILE@WAUSAUTILE.COM
WEB SITE: WWW.WAUSAUTILE.COM

CONFIDENTIAL INFORMATION
THIS DRAWING, SPECIFICATIONS AND OTHER INFORMATION AND DOCUMENTS ACCOMPANYING THEM ARE THE CONFIDENTIAL AND PROPRIETARY PROPERTY OF WAUSAU TILE, INC. THE DRAWINGS THEMSELVES SHALL BELONG TO THE OWNER FOR USE ONLY ON THE PROJECT. ANY ADDITIONAL USE SHALL REQUIRE THE PRIOR WRITTEN APPROVAL OF WAUSAU TILE, INC. THE PROPRIETARY INFORMATION CONTAINED WITHIN THE DRAWINGS AND THE DOCUMENTS IS AND SHALL REMAIN THE SOLE PROPERTY OF WAUSAU TILE, INC

WAUSAU TERRAZZO
FLAT CEMENT BASE

REVISIONS			
	NAME	DATE	NOTES
1	---	---	---
2	---	---	---
3	---	---	---
4	---	---	---

DRAWN BY:	MR
DATE:	10/21/14
SCALE:	AS NOTED
PROJECT NUMBER:	N/A
MIX DESIGN NO.	N/A
ABRASIVE NO.	N/A
SHEET NO.	14